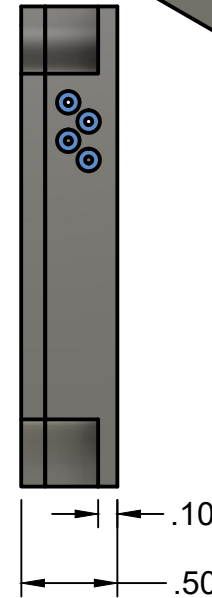
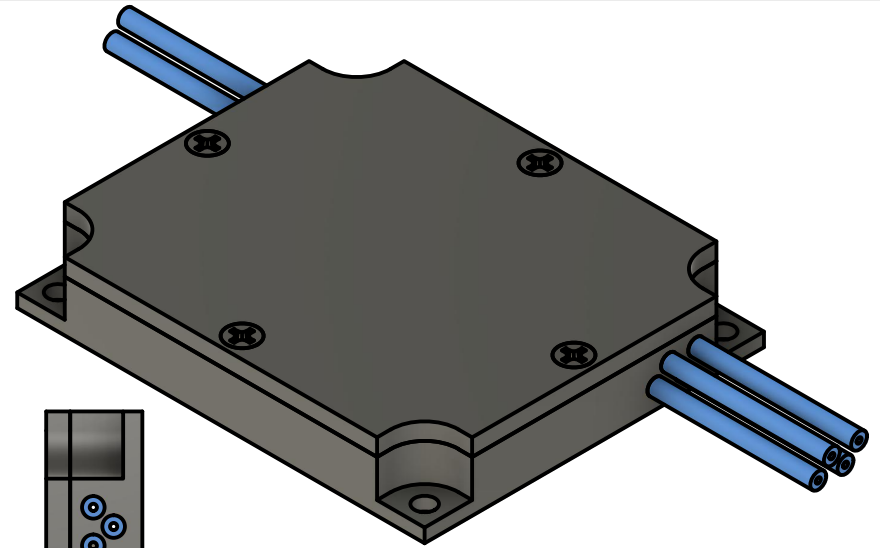
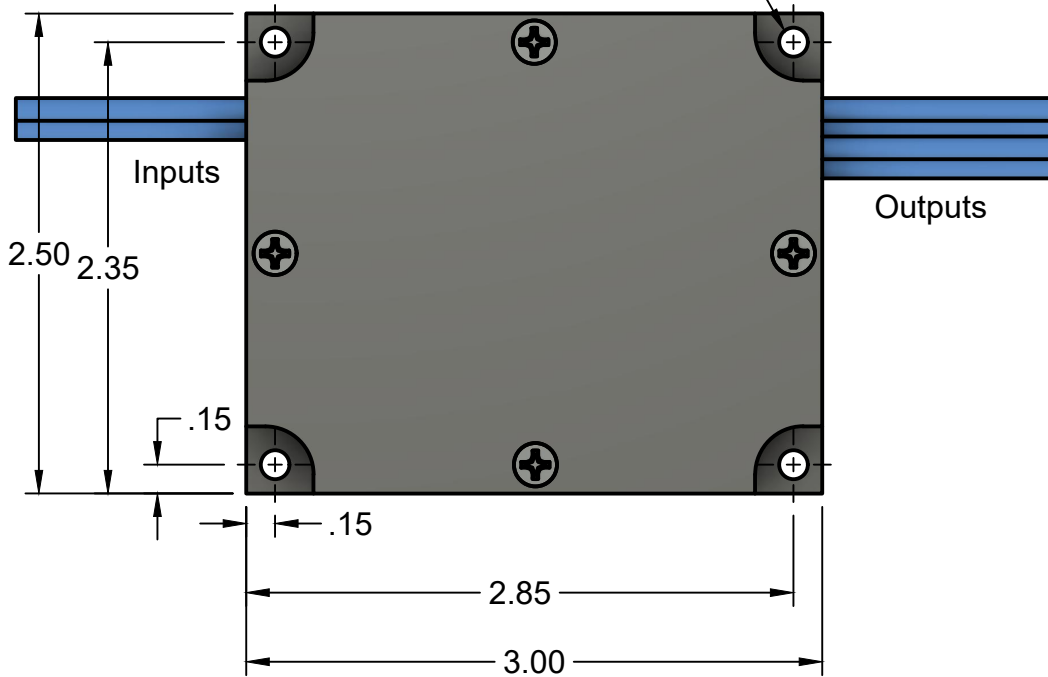




4X Ø.15 THRU
Clearance for #6-32



Note 1: Typical 2X4 configuration shown.

Tolerances (angular and linear)

(Except where stated)

.XXX ± .002"

.XX ± .005"

.X ± .010"

Angular ± 0.50°

All units in Std. inch

Evanescent Optics Inc.

3325 North service Road, Burlington Ontario Canada L7N 3G2.

Tel: +1(905)336-2626

Material: ----

Surface Finish Ra < 63

Drawn for reference only

Drawn by: Marc Meuris

Approved by:

Date: 5/09/24

Project: EOI PROJECTS

Part name: 2.5 x 3.0 Coupler Array w Hitrel v13

Part number: 2.5 x 3.0 Coupler Array w Hitrel

Quantity:

Rev:

Size: A

Scale: 1:1

Sheet: 1/1

